

Kathmandu University
Department of Electrical and Electronics Engineering
First Internal Test

Group: CE (2nd year/ 1st SEM) Sub: EEG 211 F.M: 10 marks Time: 1 hr.

Attempt any four questions (4 x 2.5 = 10 marks)

- Describe the working principle of diode with VI characteristics.
- Assume diodes to be ideal, describe the working transfer characteristics of circuit shown in figure 1.

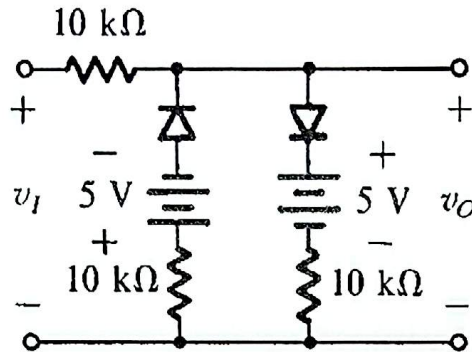


Figure 1

- Sketch the V_o for the network of figure 2.

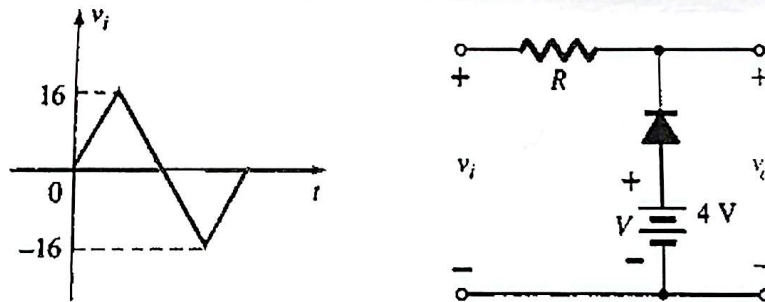


Figure 2

- Sketch the v_o for given network of figure 3 for the input shown.

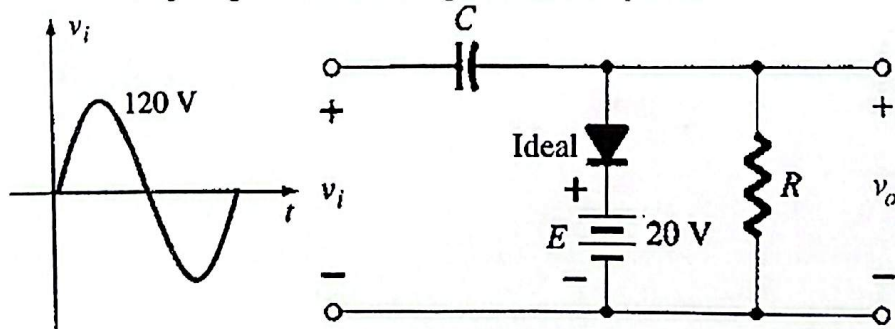


Figure 3