

Kathmandu University
Engineering Drawing (EDRG 102)
Second Internal Examination

Q.N.1

for head system

August 2024

SET B

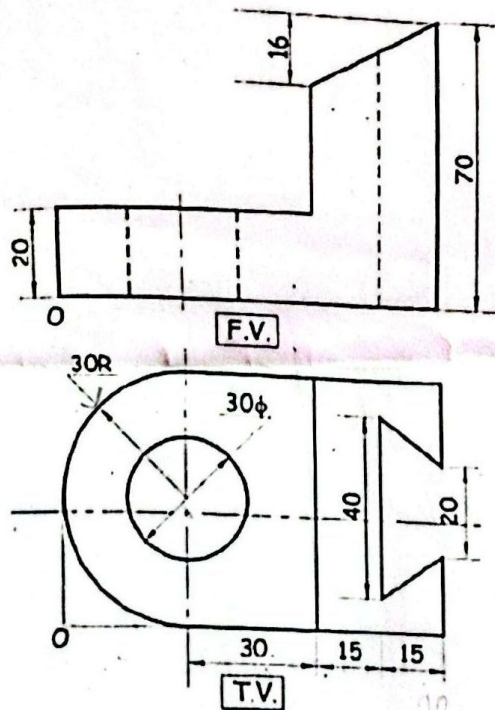
Full marks: 20

Time: 2hr

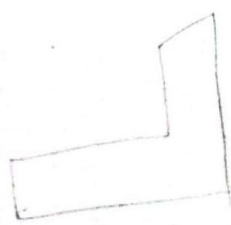
All dimensions are in mm. 2 marks is allocated for the title blocks.

Q.N.1) Figure below shows two views of an object. Draw its isometric view with O as origin.

[10]



Chain
→ 2d+6
Zig → 2d



Q.N.2) Draw the three views of a threaded hexagonal headed bolt 120 mm long, 25 mm diameter with a thread length equals twice the diameter of bolt. The hexagonal nut is screwed on the bolt and the end of the bolt is chamfered to 45 degrees.

Or

Draw 1:1 Scale, the top view and sectional front view of a double riveted lap joint with zig-zag riveting. The thickness of the plates is 16 mm. show at least three rivets in each row. Indicate all the dimensions and empirical proportions.

[8]

